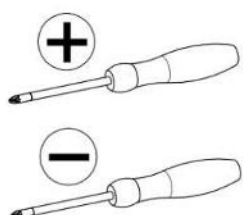
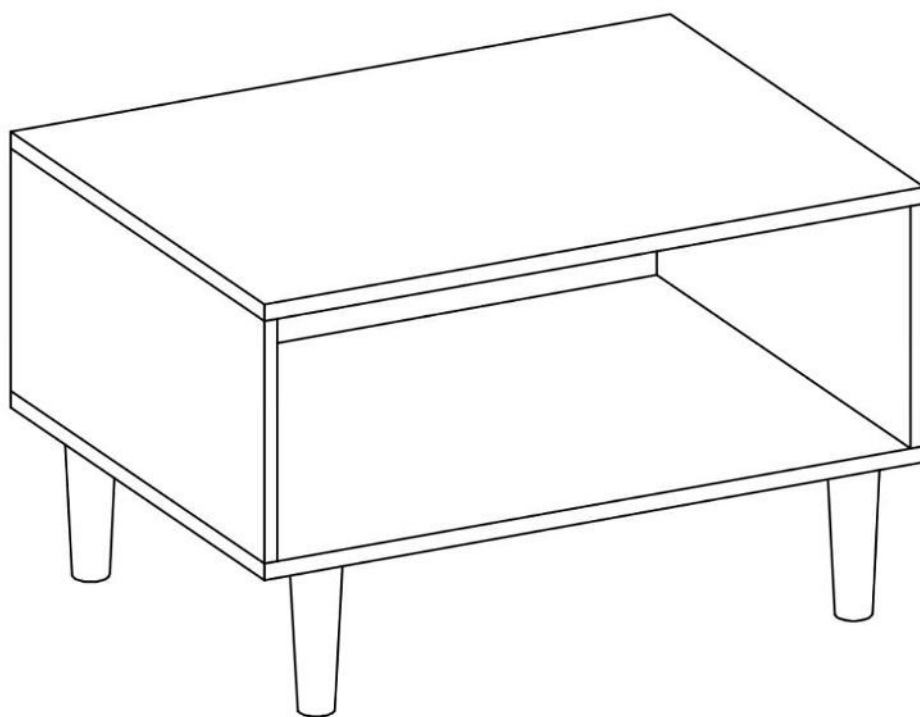
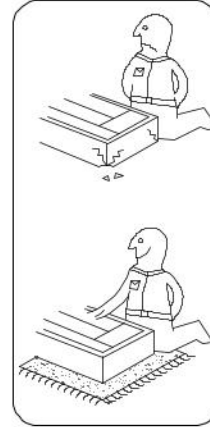
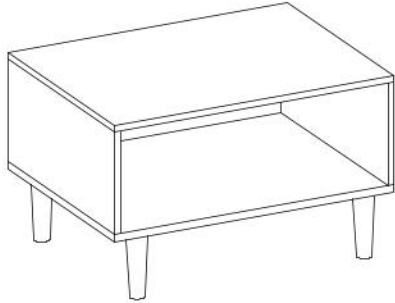
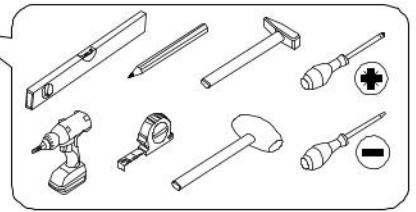
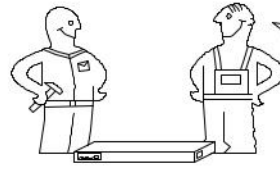


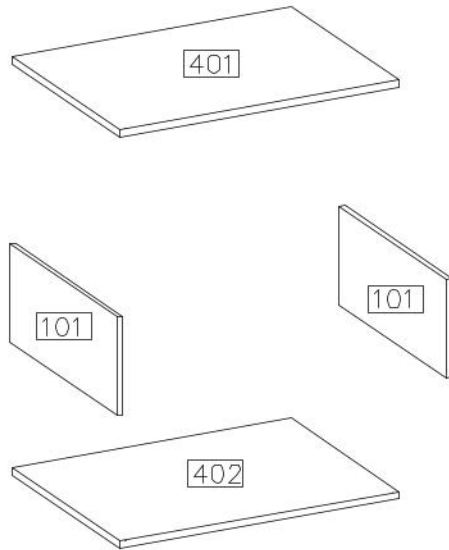
DULLUM



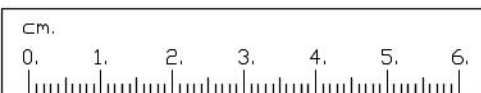
S K






#	ART. NR	QUANTITY
1	401	1
2	402	1
3	101	2

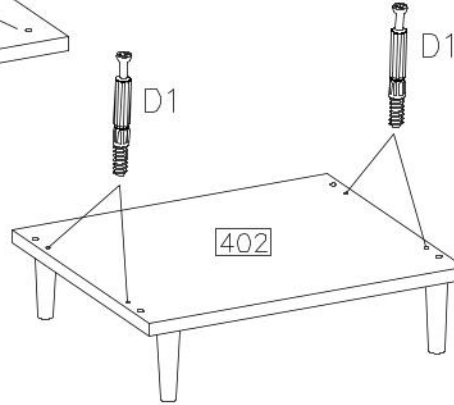
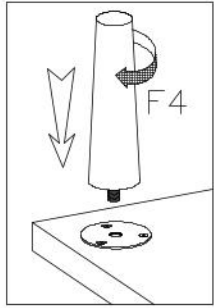
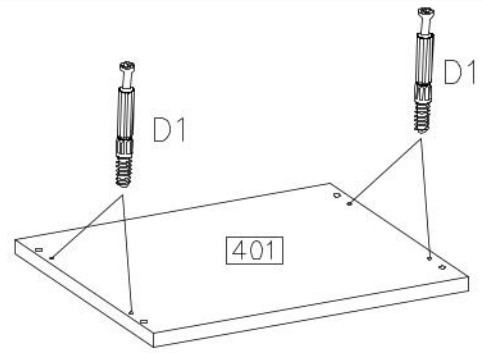
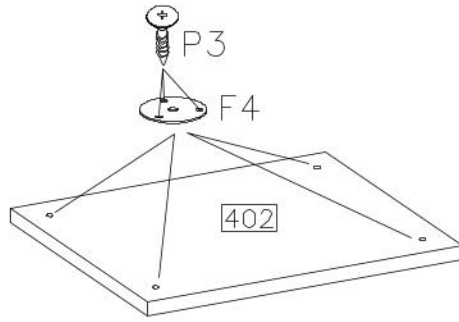
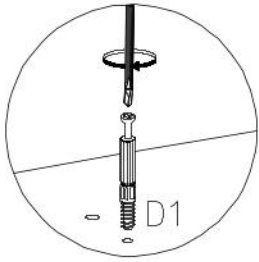


<p>∅8x30mm</p> <p>A</p> <p>8</p>	<p>∅15/12mm</p> <p>C</p> <p>8</p>	<p>D1</p> <p>8</p>	<p>E</p> <p>8</p>	<p>∅3.5x16mm</p> <p>P3</p> <p>12</p>	<p>F4</p> <p>4</p>
----------------------------------	-----------------------------------	--------------------	-------------------	--------------------------------------	--------------------





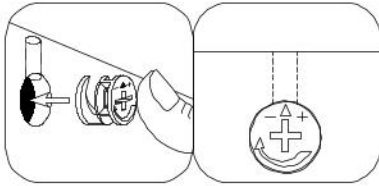
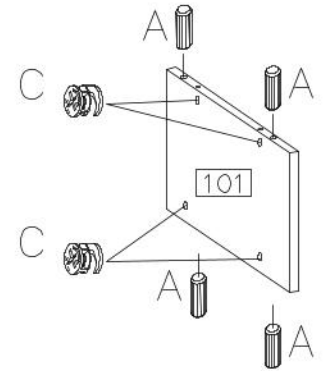
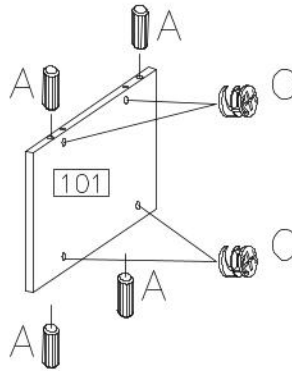
1

	$\varnothing 3.5 \times 16 \text{ mm}$ 	
D1	P3	F4
8	12	4




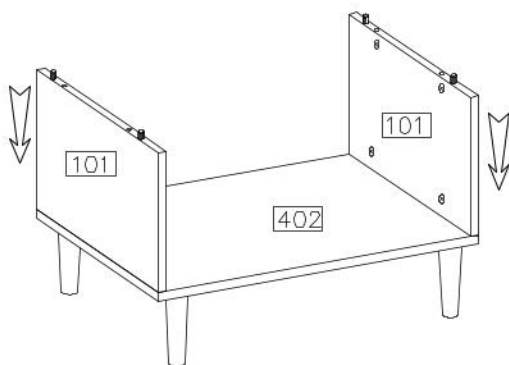
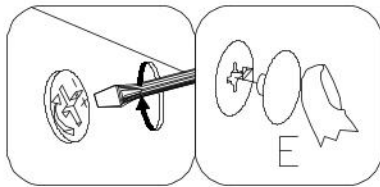
2

$\varnothing 15/12$ 	$\varnothing 8 \times 30$ 
C	A
8	8




3


E
4



4


E
4

